

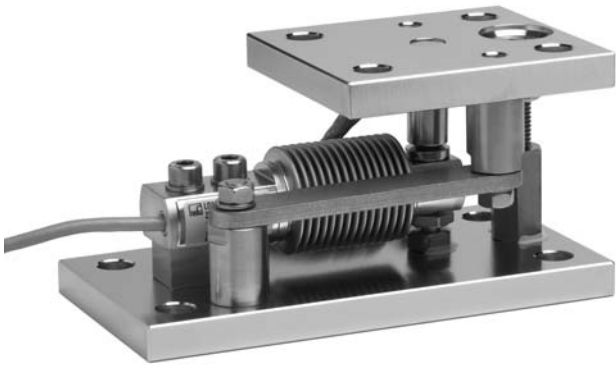
Z6/M...

Weighing module for
30 kg ... 500 kg

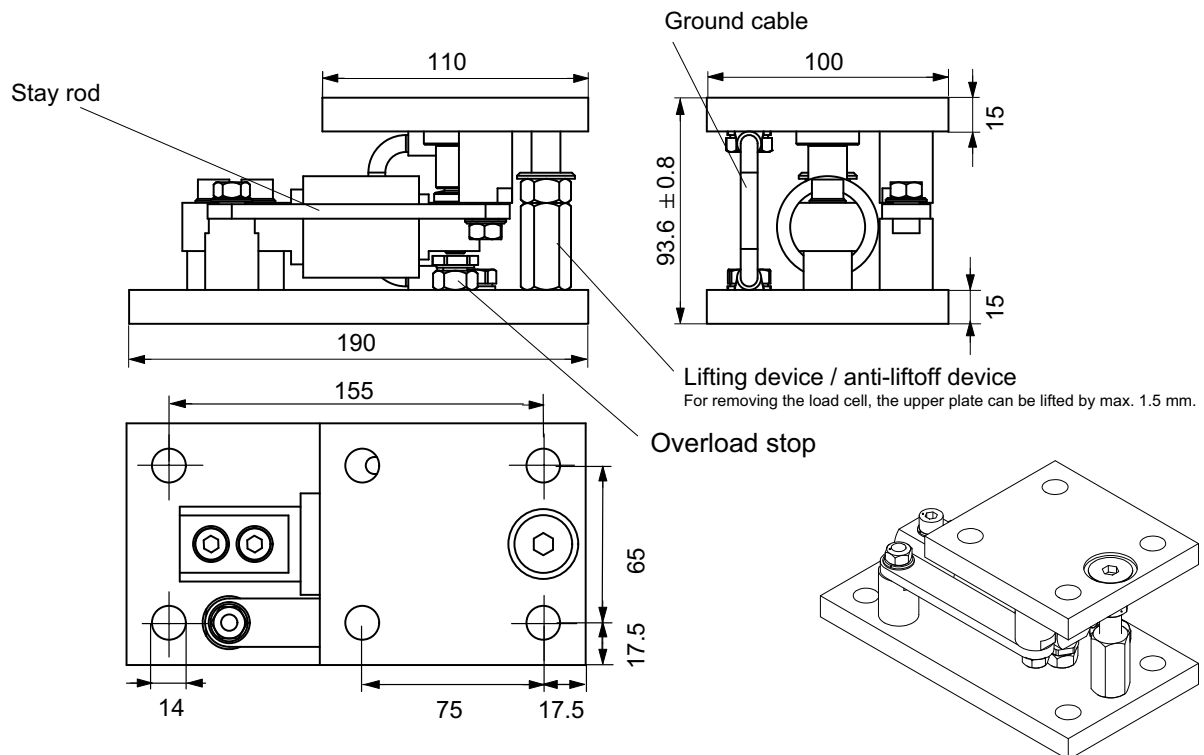
Special features

- Equipped with load cell Z6F...class D1 or C3 according to OIML R60
- With overload stop and stay rod
- Maintenance-free
- Compact installation at minimum height
- Easy installation
- Two versions available:
 - Galvanized material or
 - Stainless steel (preferred types)
- Self-restoring due to pendulum bearing
- With anti-liftoff device and lifting device
- Explosion protection versions as per ATEX, IECEx, FM (US) and EAC (optional)

Data sheet



Dimensions (in mm, 1mm = 0.03937 inches)



Specifications of the weighing module Z6/M...

| Maximum capacity | kg | 30 | 50 | 100 | 200 | 50 |
|--|--------------------|-------------------------------|-------|-------|-------|------|
| Limit load | % of Max. capacity | 150 | | | | |
| Breaking load | % of Max. capacity | 200 | | | | |
| Restoring force (at 1 mm side offset) | % of applied load | 6.1 | | | | |
| Max. side offset transverse to the stay rod axis* | mm | ± 1.5 | | | | |
| Max. static horizontal force in the stay rod direction | kN | 5 | | | | |
| Max. lift-off force | kN | 5 | | | | |
| Material | | Galvanized or Stainless steel | | | | |
| Weight (depending on the version, incl. load cell) | kg | 8...9 | | | | |
| Adjustment range of the overload stop | mm | ≤0.36 | ≤0.35 | ≤0.25 | ≤0.45 | ≤0.8 |

* when horizontal adjustment the upper module plate

For more information on the corresponding load cells, see the Z6F... data sheet

Options

Explosion protection versions to IECEx, ATEX and FM (USA)

AI1/21 IECEx+ATEX Zone 1/21 + FM intrinsically safe, II 2G Ex ia IIC T6/T4 Gb, II 2D Ex ia IIIC T125°C Db*

AI2/21** IECEx+ATEX Zone 2/21 not intrinsically safe, II 3G Ex ec IIC T6/T4 Gc, II 2D Ex tb IIIC T125°C Db*

* With EU type examination certificate (BVS13ATEX E 108 X) and IECEx Certificate of Conformity (IECEx BVS 13.0109 X)

** Option AI2/21 IEC + ATEX zone 2/21 includes zone 2/22

Explosion protection versions to EAC (Eurasian Economic Union, with the member states: Russia, Belarus, Armenia, Kazakhstan, Kyrgyzstan)

R1/21 EAC Zone 1/21 TR ZU 012/2011 Ex certificate, 1 Ex ia IIC T6/T4 Gb X / Ex ia IIIC T125°C Db X***

R2/21 EAC Zone 2/21 TR ZU 012/2011 Ex certificate, 2 Ex nA IIC T6/T4 Gc X / Ex tb IIIC T125°C Db X***

*** With certificate "СЕРТИФИКАТ СООТВЕТСТВИЯ № ТС RU C-DE.ГБ08.В.01138"

Placing orders

When placing an order please specify the ordering numbers from the tables. If you need other versions (accuracy classes, explosion protection, other cable lengths or materials, etc.) for the available products, please look in the overview "Z6/M-Modules (incl. load cell Z6FC3...), optional versions". You can generate a specific ordering number there from your individual requirements.

Ordering codes Z6/M-Modules (incl. load cell Z6FC3...), preferred types

| Type | Z6/M |
|-----------------|-----------------|
| Material | stainless steel |
| Accuracy class | C3 (OIML) |
| Max. capacities | Order-no. |
| 30 kg | 1-Z6/M3LBR30KG |
| 50 kg | 1-Z6/M3LBR50KG |
| 100 kg | 1-Z6/M3LBR100KG |
| 200 kg | 1-Z6/M3LBR200KG |
| 500 kg | 1-Z6/M3LBR500KG |


Z6/M-Modules (incl. load cell Z6FC3...), optional versions

| |
|--------------|
| Order No. |
| K-Z6M |

| Code | Option 1: Material |
|----------|--------------------|
| R | Stainless steel |
| N | Galvanized |

| Code | Option 2: Accuracy class |
|-----------|--------------------------|
| D1 | D1 (OIML) |
| C3 | C3 (OIML) |

| Code | Option 3: Capacity |
|------------|---|
| 30 | 30 kg [only with Option 4 = N/(AI2/22)] |
| 50 | 50 kg |
| 100 | 100 kg |
| 200 | 200 kg |
| 500 | 500 kg |

| Code | Option 4: Explosion protection |
|---------------|---|
| N | No explosion protection |
| AI1/21 | IECEX-ATEX Zone1/21 and FM  [not with Option 3 = 30] |
| AI2/21 | IECEX-ATEX Zone2/21 |
| R1/21 | EAC Zone 1/21 |
| R2/21 | EAC Zone 2/21 |

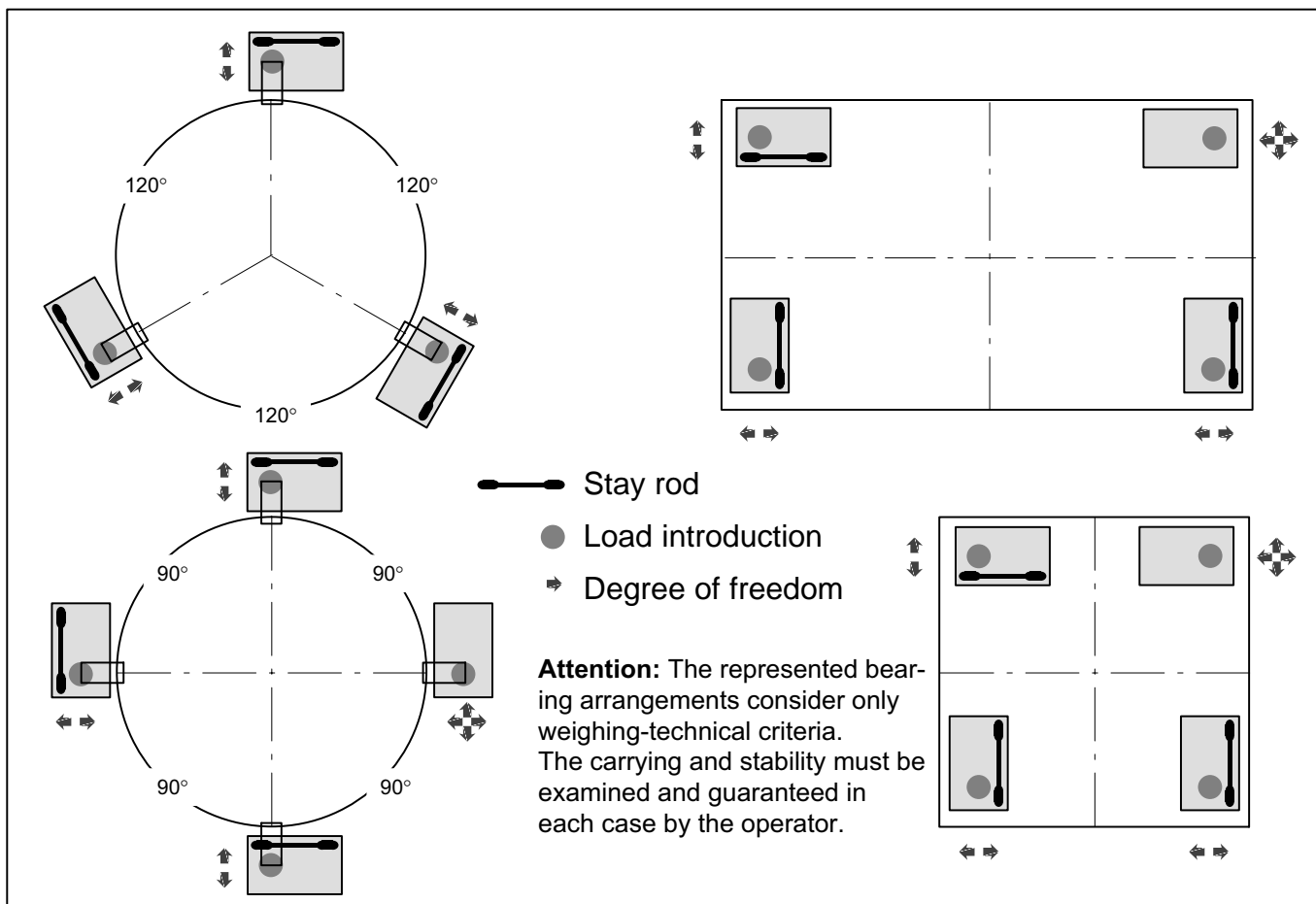
| Code | Option 5: Cable length |
|-----------|------------------------|
| S3 | 3 m (Standard) |
| 6 | 6 m |
| 12 | 12 m |

K-Z6M - [] - [] - [] - [] - []

Not all codes can be combines with each other. Please take heed of the terms in the square brackets!

PT. SINERGI GLOBAL AUTOMASI | sales@negai.co.id | (021) 8267 8558

Mounting example of weighing modules with stay rods:



PT. SINERGI GLOBAL AUTOMASI | sales@negai.co.id | (021) 8267 8558

PT. SINERGI GLOBAL AUTOMASI

Grand Galaxy City RSK 6/67
 Jl. Boulevard Raya, Jakasetia 17147 - Bekasi Selatan
 (021) 8275 5723 | (021) 8267 8558
sales@negai.co.id | www.negai.co.id

Subject to modifications.
 All product descriptions are for general information only. They are not to be understood as a guarantee of quality or durability.

Hottinger Baldwin Messtechnik GmbH
 Im Tiefen See 45 · 64293 Darmstadt · Germany
 Tel. +49 6151 803-0 · Fax +49 6151 803-9100
 Email: info@hbm.com · www.hbm.com

measure and predict with confidence

