

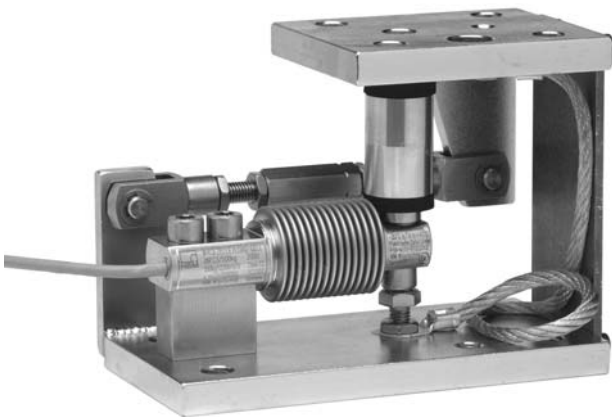
Z6AM

Weighing module
for 50 kg ... 500 kg

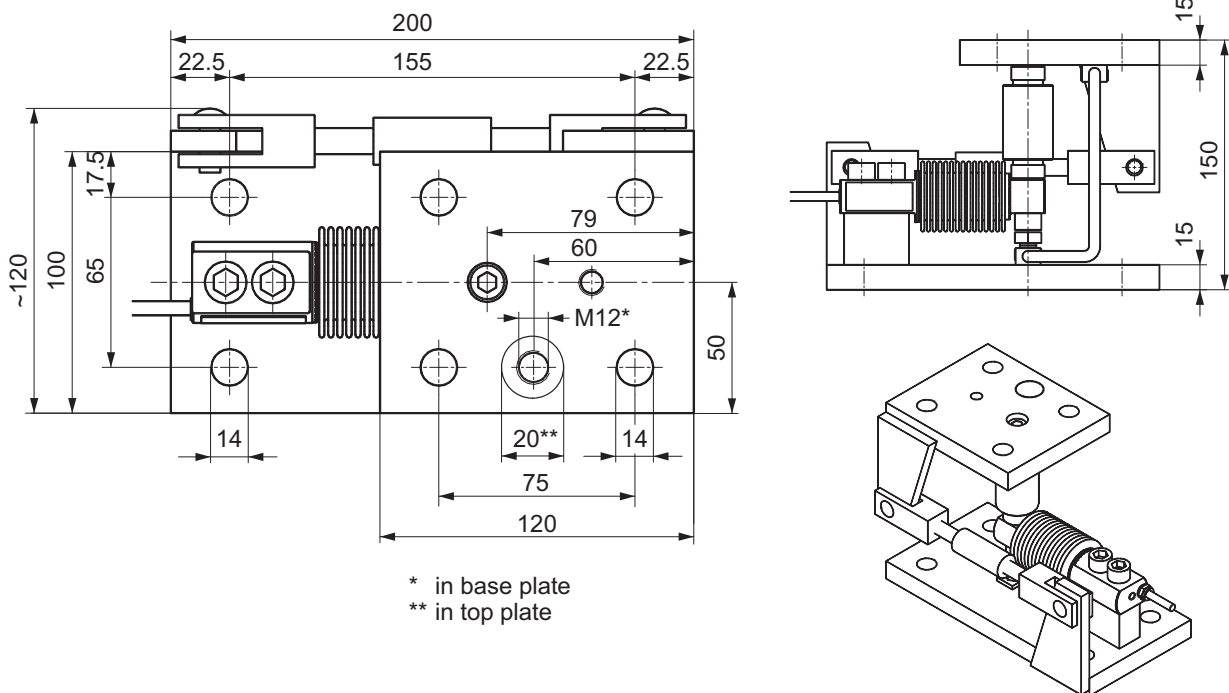
Special features

- Equipped with load cell Z6F... class C4 according to OIML R60
- With Overload stop and Transverse control arm
- Maintenance-free
- Compact installation at minimum installation height
- Easy installation
- Galvanized material and stainless steel version available
- Self-restoring due to pendle bearing
- Prepared for Lift-off securing device
- Ex protection designs as per IECEx, ATEX, FM (US) and EAC (optional)

Data sheet



Dimensions (in mm; 1 mm= 0.03937 inches)



PT. SINERGI GLOBAL AUTOMASI | sales@negai.co.id | (021) 8267 8558

Specifications of the weighing module Z6AM...

Maximum capacity	kg	50	100	200	500
Limit load	% of Maximum capacity	150			
Restoring force (at 1 mm side offset)	% of Applied load	2.8			
Maximum permissible side offset transverse to the control arm axis	mm	± 3.5			
Maximum permissible horizontal force in the control arm direction	kN	5			
Material		Galvanized or Stainless steel			
Weight (depending on the version, incl. load cell)	kg	8...9			
Adjustment range of the overload stop	mm	≤0.35	≤0.25	≤0.45	≤0.8

For technical data and additional information on the appropriate load cells, please refer to the Data sheet Z6F...

Options

Explosion protection versions to IECEx, ATEX and FM (USA)

AI1/21 IECEx+ATEX Zone 1/21 + FM intrinsically safe, II 2G Ex ia IIC T6/T4 Gb, II 2D Ex ia IIIC T125°C Db*
 AI2/21** IECEx+ATEX Zone 2/21 not intrinsically safe, II 3G Ex ec IIC T6/T4 Gc, II 2D Ex tb IIIC T125°C Db*

* With EU type examination certificate (BVS13ATEX E 108 X) and IECEx Certificate of Conformity (IECEx BVS 13.0109 X)

** Option AI2/21 IEC + ATEX zone 2/21 includes zone 2/22

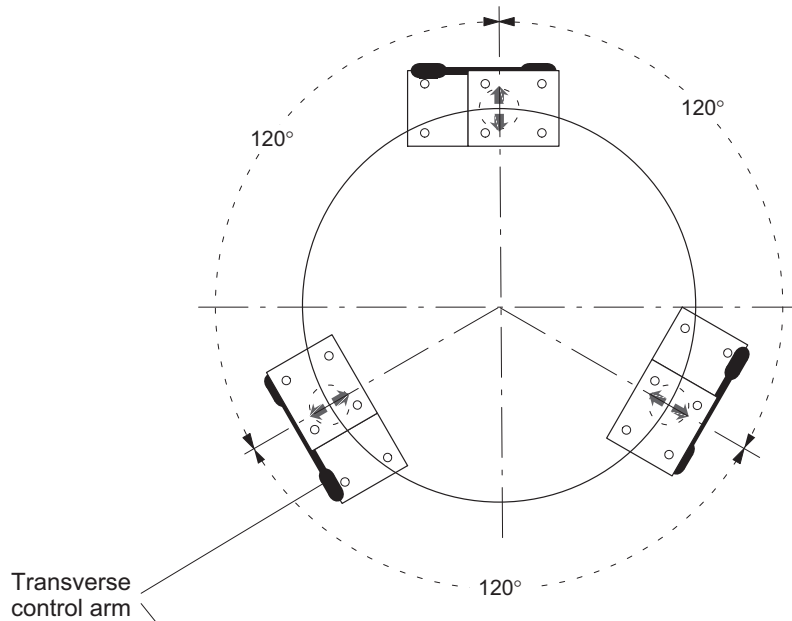
Explosion protection versions to EAC (Eurasian Economic Union, with the member states: Russia, Belarus, Armenia, Kazakhstan, Kyrgyzstan)

R1/21 EAC Zone 1/21 TR ZU 012/2011 Ex certificate, 1 Ex ia IIC T6/T4 Gb X / Ex ia IIIC T125°C Db X***
 R2/21 EAC Zone 2/21 TR ZU 012/2011 Ex certificate, 2 Ex nA IIC T6/T4 Gc X / Ex tb IIIC T125°C Db X***

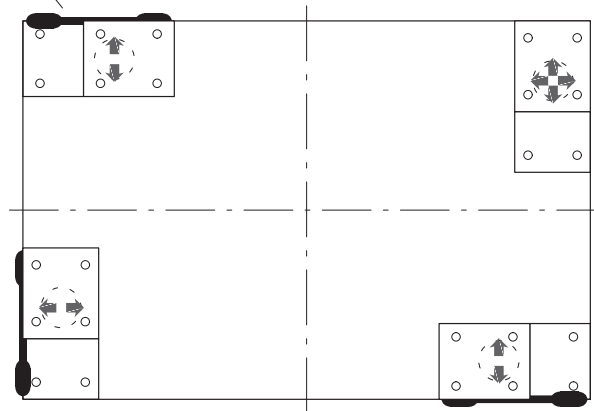
*** With certificate "СЕРТИФИКАТ СООТВЕТСТВИЯ № TC RU C-DE.ГБ08.B.01138"

Mounting examples for weighing modules with Transverse control arms

Arrangement of the weighing modules below cylindrical tanks



Rectangular arrangement of the weighing modules below tanks



Attention

The represented bearing arrangements consider only weighing-technical criteria. The carrying and stability must be examined and guaranteed in each case by the operator.

PT. SINERGI GLOBAL AUTOMASI

Grand Galaxy City RSK 6/67
Jl. Boulevard Raya, Jakasetia 17147 - Bekasi Selatan

(021) 8275 5723 | (021) 8267 8558
sales@negai.co.id | www.negai.co.id

Subject to modifications.
All product descriptions are for general information only. They are not to be understood as a guarantee of quality or durability.

Hottinger Baldwin Messtechnik GmbH
Im Tiefen See 45 · 64293 Darmstadt · Germany
Tel. +49 6151 803-0 · Fax +49 6151 803-9100
Email: info@hbm.com · www.hbm.com

measure and predict with confidence

