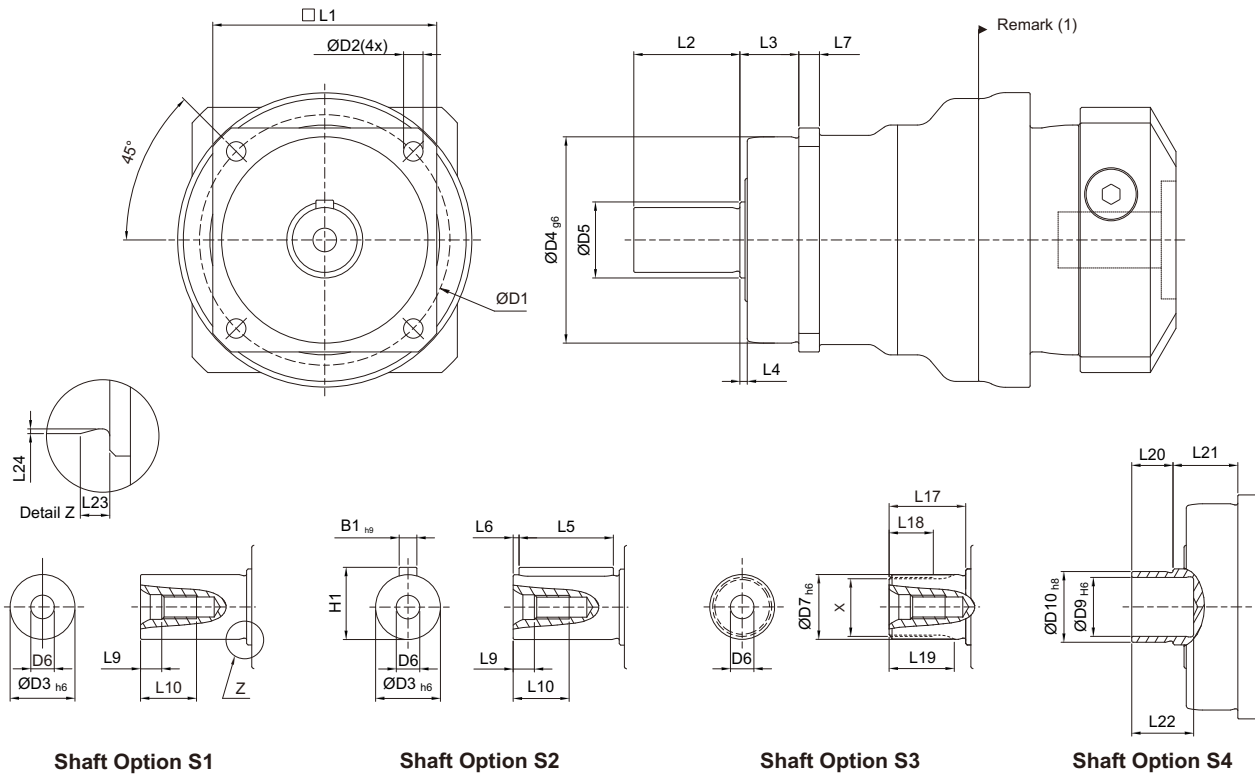


# Dimension - AFH Gearbox



Shaft Option S1

Shaft Option S2

Shaft Option S3

Shaft Option S4

Dimension	AFH 060	AFH 075	AFH 100	AFH 140	AFH 180	AFH 210	AFH 240
D1	68	85	120	165	215	250	290
D2	5.5	7	9	11	13.5	17	17
D3	h6	16	22	32	40	55	85
D4	g6	60	70	90	130	160	200
D5		18.5	25.8	36.8	55.2	69.2	92.2
D6		M5 x 0.8P	M8 x 1.25P	M12 x 1.75P	M16 x 2P	M20 x 2.5P	M20 x 2.5P
D7	h6	16	22	32	40	55	85
D9	H6	15	20	30	40	-	-
D10	h8	18	24	36	50	-	-
L1		62	76	101	141	182	215
L2		28	36	58	82	105	130
L3		20	20	30	30	38	40
L4		2	2.5	3	3	3	3
L5		25	32	50	63	70	90
L6		2	2	4	5	6	7
L7		6	7	10	12	15	17
L9		4.8	7.2	10	12	15	15
L10		12.5	19	28	36	42	42
L17		26	26	26	40	41.5	52
L18		15	15	15	20	21.5	28
L19		21	22.5	23	33.5	33.5	45
L20		12	14	18	22	23	-
L21		22	22	32	33	32	-
L22		19	21	25	30	30	-
L23		2	2.5	2.5	2.5	2.5	4
L24		0.3	0.4	0.4	0.4	0.4	0.5
B1	h9	5	6	10	12	16	22
H1		18	24.5	35	43	59	79.5
X DIN5480	W16 x 0.8 x 30 x 18 x 6m	W22 x 1.25 x 30 x 16 x 6m	W32 x 1.25 x 30 x 24 x 6m	W40 x 2 x 30 x 18 x 6m	W55 x 2 x 30 x 26 x 6m	W70 x 2 x 30 x 34 x 6m	W80 x 2 x 30 x 38 x 6m

(I) Dimensions are related to motor interface. Please contact APEX for details.

PT. SINERGI GLOBAL AUTOMASI | sales@negai.co.id | (021) 8267 8558



Ruko Sentra Komersial 6/67  
Grand Galaxy City  
Jl. Boulevard Raya, Jakasatia  
Bekasi Selatan, 17147

(021) 8275 5723  
(021) 8267 8558  
sales@negai.co.id  
www.negai.co.id