

Active Infrared Door Sensors



OA-203C series



Thin Design
(Thickness 29.9 mm)

Black

Silver

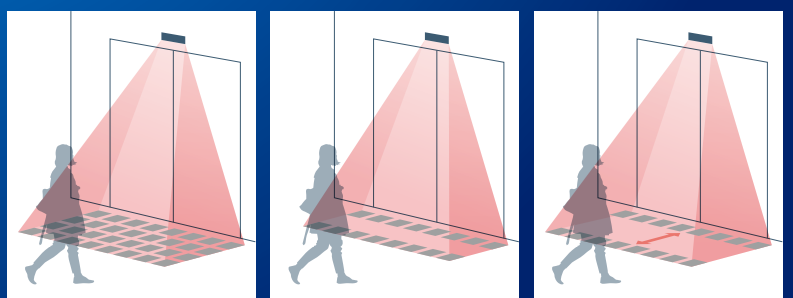


Depth Width Horizontal angle Vertical angle

4 x 4 x 5 x 9 = 720

Detection Area Patterns

The Optex OA-203C is the optimal choice for both safety and activation on all types of automatic doors.



Product line up

Model	Description	Voltage	Color
OA-203C (BL)	Four rows AIR	12-30 V	Black
OA-203C (S)	Four rows AIR	12-30 V	Silver
OA-203C BL-2	Two rows AIR	12-30 V	Black
OA-203C S-2	Two rows AIR	12-30 V	Silver
OA-203V-1 S	One row AIR	12-110 V	Silver

Presence Detection Function

Safety is assured by the two rows of presence detection closest to the door. The sensor detects a person or object and holds the door open as long as they are near the threshold area, even if they stop or pause.

All conditions

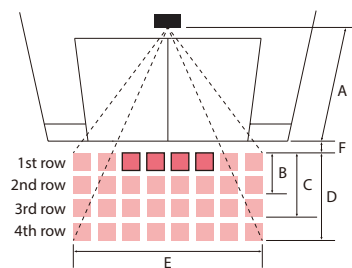
Snow mode and variable sensitivity adjustments make this sensor suitable for every application and even weather conditions.

Easy installation

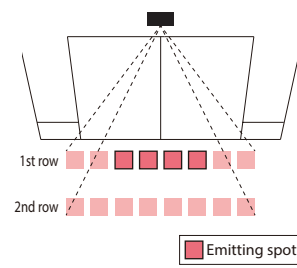
The Optex OA-203C is simple to install. All the settings are mechanically adjustable with dip switch and levers.

Detection Area

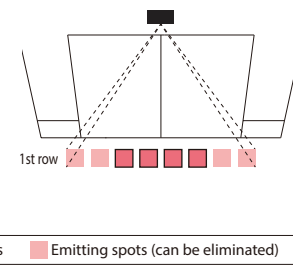
OA-203C (BL), OA-203C (S)



OA-203C BL-2, OA-203C S-2



OA-203V-1



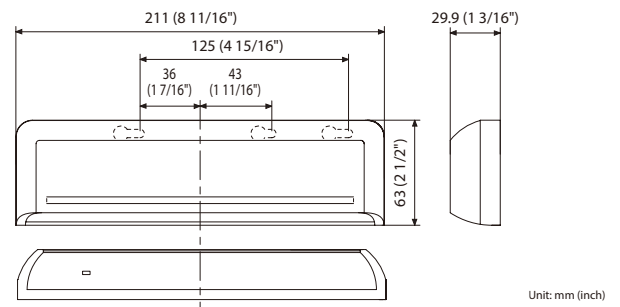
■ Emitting spots ■ Emitting spots (can be eliminated)

	m (feet, inch)				
A	2.00 (6' 6 3/4")	2.20 (7' 2 5/8")	2.50 (8' 2 7/16")	2.70 (8' 10 5/16")	3.00 (9' 10 1/8")
B	0.28 (11")	0.31 (1' 3/16")	0.35 (1' 1 3/4")	0.38 (1' 2 15/16")	0.41 (1' 4 9/16")
C	0.68 (2' 2 3/4")	0.75 (2' 5 1/2")	0.85 (2' 9 9/16")	0.92 (3' 1/4")	1.02 (3' 4 3/16")
D	1.18 (3' 10 7/16")	1.30 (4' 3 3/16")	1.48 (4' 10 1/4")	1.59 (5' 2 5/8")	1.77 (5' 9 11/16")
E	2.10 (6' 10 11/16")	2.30 (7' 6 9/16")	2.60 (8' 6 3/8")	2.80 (9' 2 1/4")	3.10 (10' 2 1/16")
F	0.16 (6 5/16")	0.18 (7 1/16")	0.20 (7 7/8")	0.22 (8 11/16")	0.25 (9 13/16")

Specifications

Model	OA-203C
Mounting height	3.0 m (9'10") max.
Detection area adjustments	Eliminate rows B, C, or D (dip switch setting) Depth 4" in or out, 1" per setting Width 7" left or right, 3,5" per setting Shutters eliminate left and right sides
Detection technique	Active infrared reflection
Power supply	12 to 30 V AC/DC
Power consumption	160 mA max. (at 12V AC)
Power/Operating indicator	Green: Standby Red: Presence detection Orange: Motion detection
Output contact	Form C relay 50 V, 0.3 A max. (resistance load)
Relay hold time	Approx. 0.5 s
Response time	<0.3 s
Operating temperature	-20 to +55°C (-4 to +131°F)
Outer dimensions	221 x 63 x 29.9 mm (w x h x d)
Weight	200 g
Accessories	3 m Connection cable with plug 2 Mounting screws 1 Mounting template 1 Area adjustment tool
Available colours	Black (OA-203CBL), silver (OA-203CS)

Dimensions



Unit: mm (inch)

Option

Rain cover M



Manufacturer / Asia sales Div.

OPTEX CO.,LTD.

5-8-12 Ogoto Otsu Shiga 520-0101 Japan
TEL.: +81-77-579-8360 FAX.: +81-77-579-8190

Asia Sales Div.

TEL.: +81-77-579-8030 FAX.: +81-77-579-8136
WEBSITE: www.optex.co.jp/as/eng/index.html

North and South American Subsidiary

OPTEX INCORPORATED. AMERICAS HEADQUARTERS

18730 South Wilmington Ave. Suite 100 Rancho Dominguez, CA 90220 U.S.A.
TOLL-FREE: 800 877 6656 FAX.: +1 310 214 8655
WEBSITE: www.ot-inc.com

East Coast Office

8510 McAlpines Park Drive, Suite 108 Charlotte, NC 28211 U.S.A.
TOLL-FREE: 800 877 6656 FAX.: +1 704 365 0818
WEBSITE: www.ot-inc.com

European Subsidiary

OPTEX Technologies B.V.

Henricuskade 17, 2497 NB The Hague, The Netherlands
TEL.: +31(0)70 419 41 00 FAX.: +31(0)70 317 73 21 E-MAIL: info@optex.eu
WEBSITE: www.optex.eu